

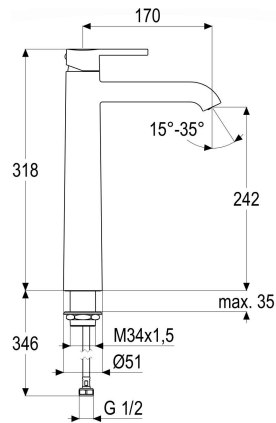
Product data sheet

EL47004-47010 WASH BASIN MIXER XL OMEGA_450

Product image



Dimensioned drawing



Product description

Wash basin mixer XL
chrome
flexible hoses 1/2" DIN DVGW
aerator 5 l/min
Cache, swivelling
with push button waste
with shaft screw connection

Tender specification

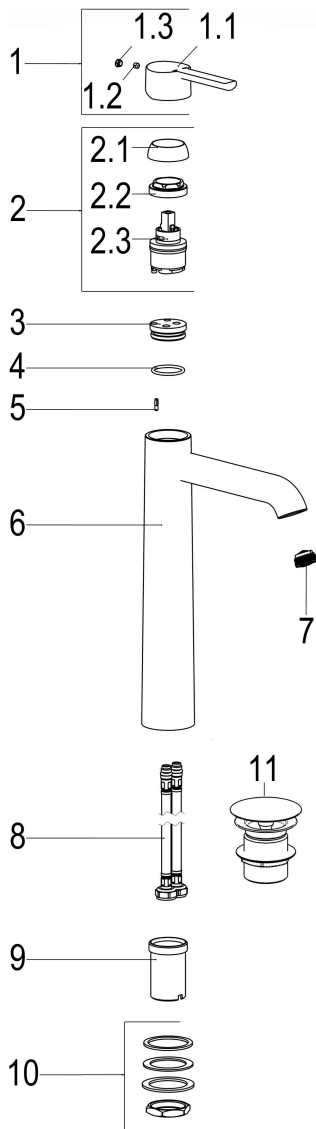
Wash basin mixer XL
chrome
reach 170 mm
height to aerator 240 mm
maximum height 320 mm
open cartridge 35 mm
with hot water and flow rate limiter
materials in accordance with German
Drinking Water Regulations and FEA
lever metal
flexible hoses 1/2" DIN DVGW
aerator 5 l/min
Cache, swivelling
single hole mounted
with push button waste
with shaft screw connection

VPE: 1
GTIN: 4020929330329



Product data sheet

Exploded drawing



Spare parts list

Pos.	Description	Article-No.
01	OPERATING LEVER OMEGA_450	Z047991-00010
02	SH CARTRIDGE FOR HIGH PRESSURE	Z009203-00001
07	AERATOR CACHE WITH SSR	Z013937-00000
10	SH SCREW CONNECTION M34 X 1,5	Z009196-00000
11	SH POP-UP WASTE COMPLETE	Z001126-00010