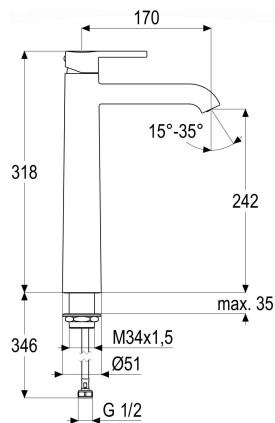


## Product data sheet

### EL47004-47140 WASH BASIN MIXER XL OMEGA\_450

#### Product image

#### Dimensioned drawing



#### Product description

Wash basin mixer XL  
steel\_line  
flexible hoses 1/2" DIN DVGW  
aerator 5 l/min  
Cache, swivelling  
with push button waste  
with shaft screw connection

#### Tender specification

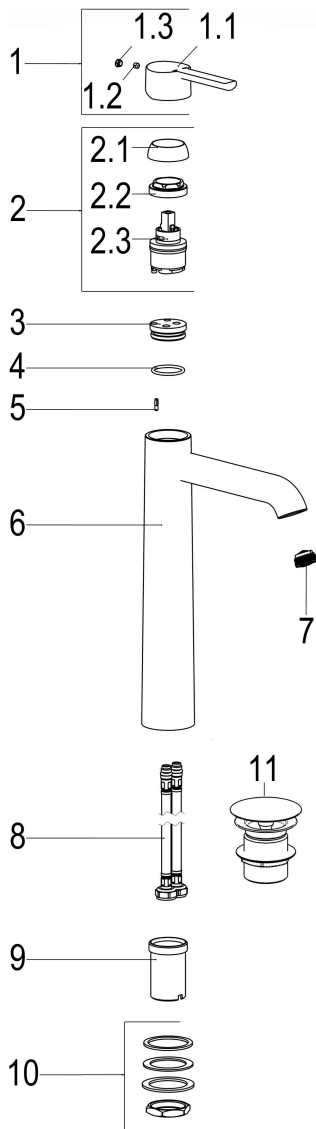
Wash basin mixer XL  
steel\_line  
reach 170 mm  
height to aerator 240 mm  
maximum height 320 mm  
open cartridge 35 mm  
with hot water and flow rate limiter  
materials in accordance with German  
Drinking Water Regulations and FEA  
lever metal  
flexible hoses 1/2" DIN DVGW  
aerator 5 l/min  
Cache, swivelling  
single hole mounted  
with push button waste  
with shaft screw connection

VPE: 1  
GTIN: 4020929181655



# Product data sheet

## Exploded drawing



## Spare parts list

Pos.	Description	Article-No.
01		Z047991-00140
02	SH CARTRIDGE FOR HIGH PRESSURE	Z009203-00001
07	AERATOR CACHE WITH SSR	Z013937-00000
10	SH SCREW CONNECTION M34 X 1,5	Z009196-00000
11	SH POP-UP WASTE COMPLETE	MF01126-00140