

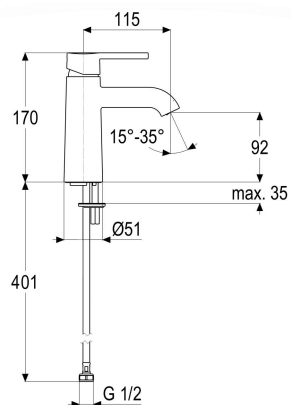
Product data sheet

EL47122-47011 WASH BASIN MIXER OMEGA_450

Product image



Dimensioned drawing



Product description

Wash basin mixer
chrome
flexible hoses 1/2" DIN DVGW
aerator 5 l/min
Cache, swivelling
with push button waste
with mounting kit

Tender specification

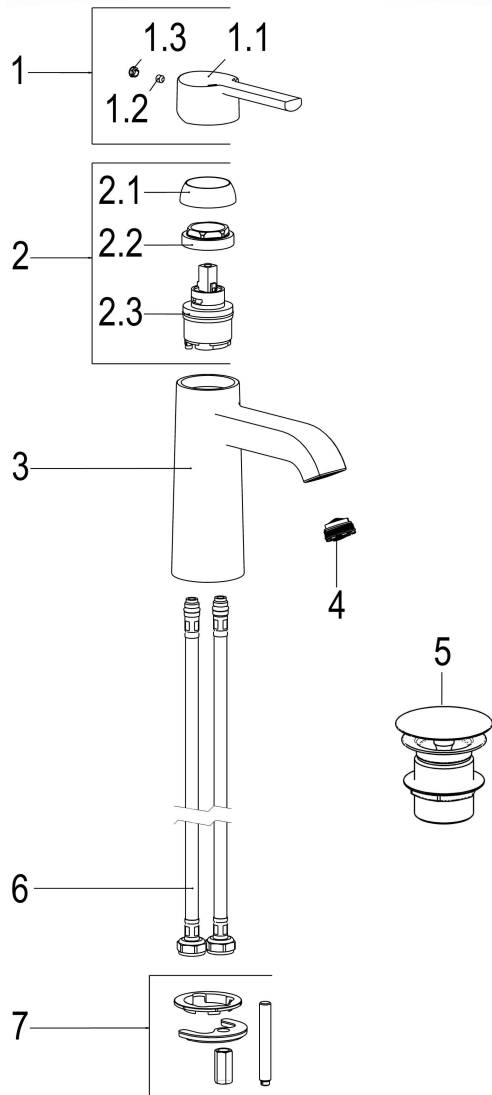
Wash basin mixer
chrome
reach 115 mm
height to aerator 90 mm
maximum height 170 mm
open cartridge 35 mm
with hot water and flow rate limiter
materials in accordance with German
Drinking Water Regulations and FEA
lever metal
flexible hoses 1/2" DIN DVGW
aerator 5 l/min
Cache, swivelling
single hole mounted
with push button waste
with mounting kit

VPE: 1
GTIN: 4020929682459



Product data sheet

Exploded drawing



Spare parts list

Pos.	Description	Article-No.
01	OPERATING LEVER OMEGA_450	Z047991-00010
02	SH CARTRIDGE FOR HIGH PRESSURE	Z009203-00001
04	AERATOR CACHE WITH SSR	Z013937-00000
05	SH POP-UP WASTE COMPLETE	Z001126-00010
07	MOUNTING KIT M8 X 57MM	Z000616-00000