

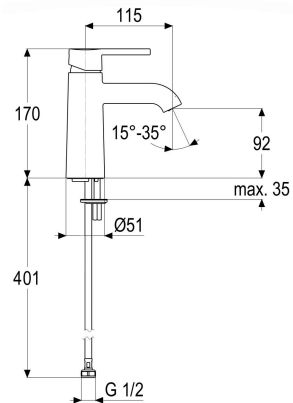
## Product data sheet

EL47122-47281 WASH BASIN MIXER OMEGA\_450

### Product image



### Dimensioned drawing



### Product description

Wash basin mixer  
matt black  
flexible hoses 1/2" DIN DVGW  
aerator 5 l/min  
Cache, swivelling  
with push button waste  
with mounting kit

### Tender specification

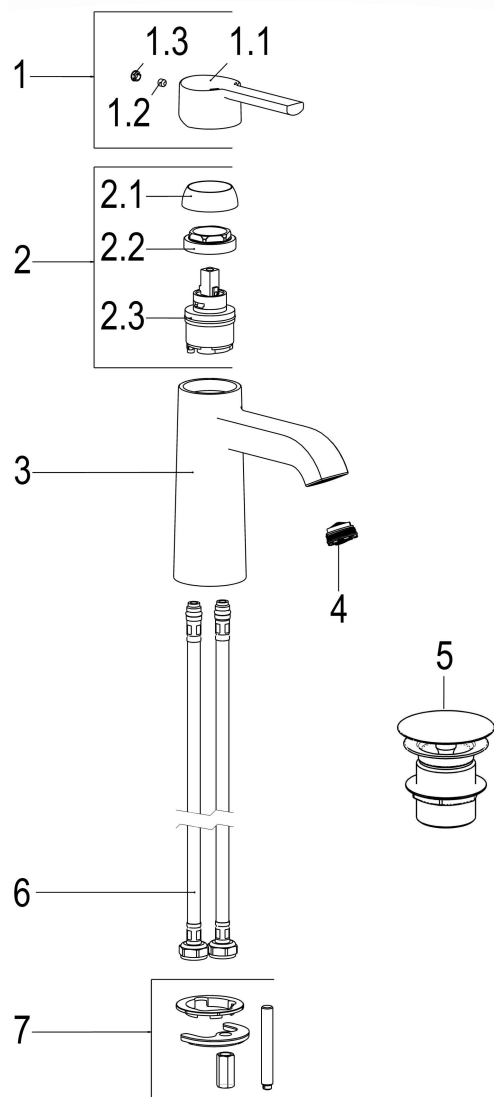
Wash basin mixer  
matt black  
reach 115 mm  
height to aerator 90 mm  
maximum height 170 mm  
open cartridge 35 mm  
with hot water and flow rate limiter  
materials in accordance with German  
Drinking Water Regulations and FEA  
lever metal  
flexible hoses 1/2" DIN DVGW  
aerator 5 l/min  
Cache, swivelling  
single hole mounted  
with push button waste  
with mounting kit

VPE: 1  
GTIN: 4020929181747



## Product data sheet

### Exploded drawing



### Spare parts list

Pos.	Description	Article-No.
01	OPERATING LEVER OMEGA_450	Z047991-00280
02	SH CARTRIDGE FOR HIGH PRESSURE	Z009203-00001
04	AERATOR CACHE WITH SSR	Z013937-00000
05	POP-UP WASTE COMPLETE	Z001128-00280
07	MOUNTING KIT M8 X 57MM	Z000616-00000