

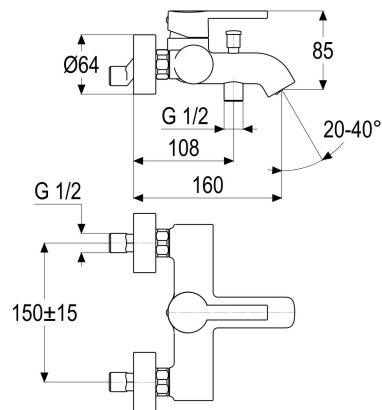
## Product data sheet

### EL47406-47010 BATH SHOWER MIXER OMEGA\_450

#### Product image



#### Dimensioned drawing



#### Product description

Bath shower mixer  
chrome  
S-connectors 1/2"  
diverter automatic  
outlet to shower 1/2"  
aerator flow rate class C  
Cache, swivelling  
protected against backflow  
suitable for instantaneous water heaters  
without shower set

#### Tender specification

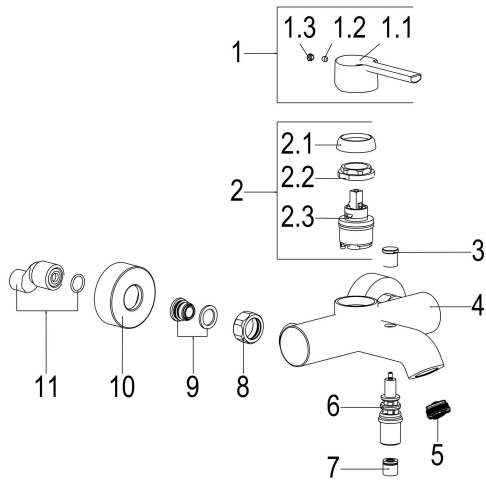
Bath shower mixer  
chrome  
reach 160 mm  
centre distance 135 - 165 mm  
S-connectors 1/2"  
diverter automatic  
outlet to shower 1/2"  
open cartridge 35 mm  
with hot water and flow rate limiter  
materials in accordance with German  
Drinking Water Regulations and FEA  
lever metal  
aerator flow rate class C  
Cache, swivelling  
for wall mounting  
protected against backflow  
suitable for instantaneous water heaters  
without shower set

VPE: 1  
GTIN: 4020929790659



# Product data sheet

## Exploded drawing



## Spare parts list

Pos.	Description	Article-No.
01	OPERATING LEVER OMEGA_450	Z047991-00010
02	SH CARTRIDGE FOR HIGH PRESSURE	Z009203-00001
03	SH DIVERTER KNOB FOR BATH MIXER	Z009241-00010
05	AERATOR CACHE WITH SSR	Z013939-00000
06	SH EXPOSED DIVERTER LINE 50/51/66	Z009149-00010
07	SH CHECK VALVE	Z028904-00000