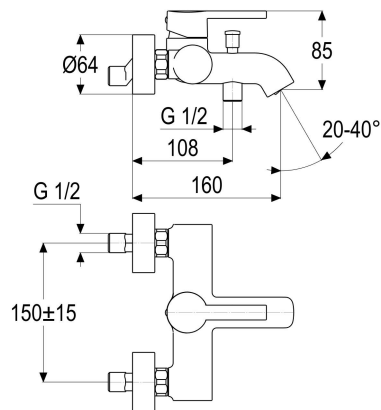


Product data sheet

EL47406-47140 BATH SHOWER MIXER OMEGA_450

Product image

Dimensioned drawing



Product description

Bath shower mixer
steel_line
S-connectors 1/2"
diverter automatic
outlet to shower 1/2"
aerator flow rate class C
Cache, swivelling
protected against backflow
suitable for instantaneous water heaters
without shower set

Tender specification

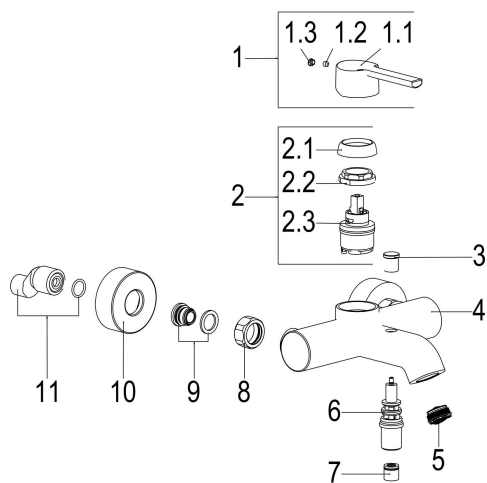
Bath shower mixer
steel_line
reach 160 mm
centre distance 135 - 165 mm
S-connectors 1/2"
diverter automatic
outlet to shower 1/2"
open cartridge 35 mm
with hot water and flow rate limiter
materials in accordance with German
Drinking Water Regulations and FEA
lever metal
aerator flow rate class C
Cache, swivelling
for wall mounting
protected against backflow
suitable for instantaneous water heaters
without shower set

VPE: 1
GTIN: 4020929181808



Product data sheet

Exploded drawing



Spare parts list

Pos.	Description	Article-No.
01	OPERATING LEVER OMEGA_450	Z047991-00010
02	SH CARTRIDGE FOR HIGH PRESSURE	Z009203-00001
05	AERATOR CACHE WITH SSR	Z013939-00000
07	SH CHECK VALVE	Z028904-00000