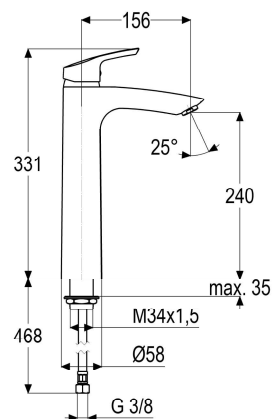


Z054005-00010 SH WASH BASIN M. HIGH OMEGA_400

Product image



Dimensioned drawing



Product description

Wash basin mixer XXL
chrome
flexible hoses 3/8" DIN DVGW
aerator flow rate class A
with push button waste
with shaft screw connection

Tender specification

Z054005-00010
Heinrich Schulte
Wash basin mixer XXL
omega_400
chrome
reach 155 mm
height to aerator 240 mm
maximum height 330 mm
cartridge 44 mm
with hot water and flow rate limiter
materials in accordance with German
Drinking Water Regulations and FEA
lever metal
flexible hoses 3/8" DIN DVGW
aerator flow rate class A
for deck mounted basins
with push button waste
with shaft screw connection

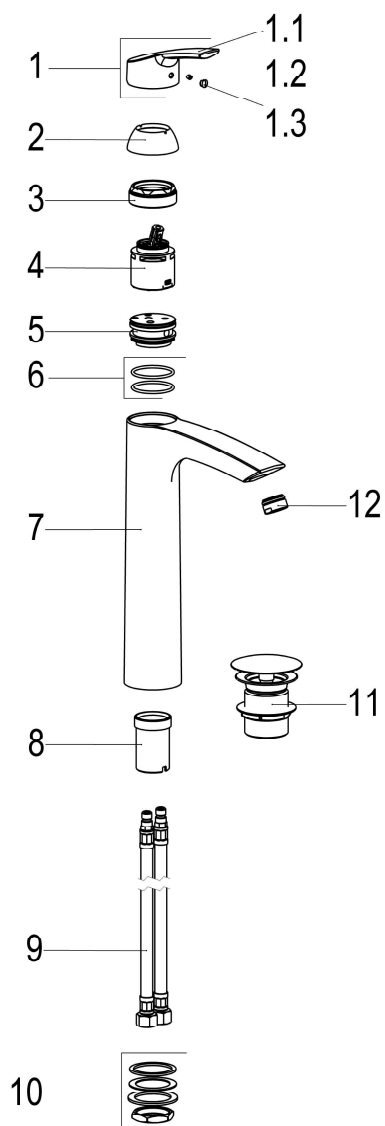
VPE: 1

GTIN: 4020929540131

SCIP: c15b59eb-d761-494d-8b8f-698145067884



Exploded drawing



Spare parts list

Pos.	Description	Article-No.
01	SH OPERATING LEVER OMEGA_400	HS54990-00010
02	SH ROSETTE M48 X 1	Z009076-00010
03	SH SCREW CONNECTION F. SCREW CAP	Z009078-00000
04	SH CARTRIDGE FOR HIGH PRESSURE	Z000070-00000
09	SH FLEXIBLE HOSE M10 X 1 - 3/8"	Z009193-00000
10	SH SCREW CONNECTION M34 X 1,5	Z009196-00000
11	SH POP-UP WASTE COMPLETE	Z001126-00010
12	SH SSR SWIVEL AERATOR CL. A	Z013959-00010