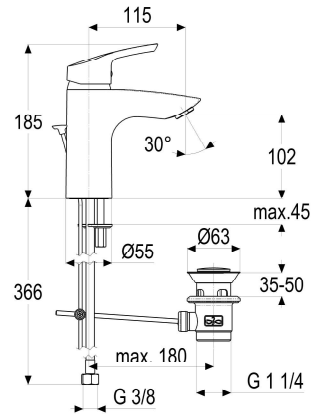


Z054132-00010 SH WASH BASIN MIXER XL OMEGA_400

Product image



Dimensioned drawing



Product description

Wash basin mixer XL
 chrome
 flexible hoses 3/8" DIN DVGW
 aerator 7 l/min
 with pop-up waste 1 1/4"
 with mounting kit

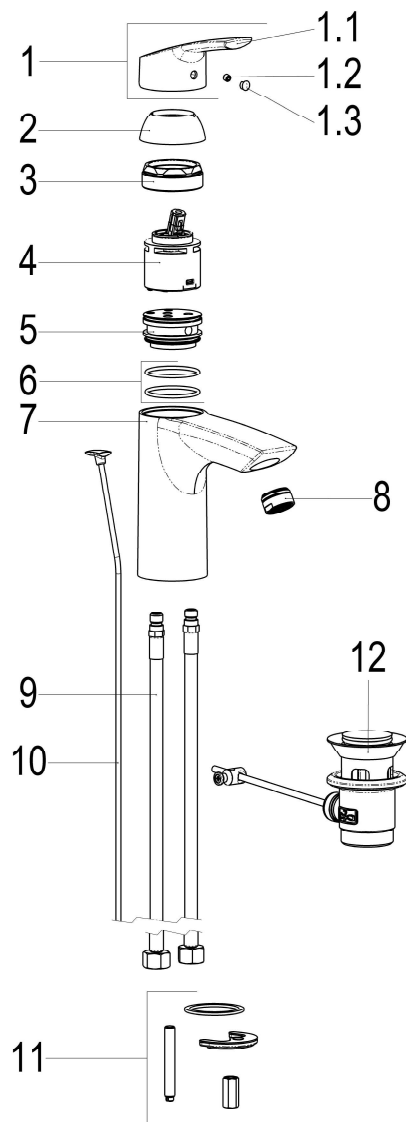
Tender specification

Z054132-00010
 Heinrich Schulte
 Wash basin mixer XL
 omega_400
 chrome
 reach 115 mm
 height to aerator 100 mm
 maximum height 185 mm
 cartridge 44 mm
 with hot water and flow rate limiter
 materials in accordance with German
 Drinking Water Regulations and FEA
 lever metal
 flexible hoses 3/8" DIN DVGW
 aerator 7 l/min
 single hole mounted
 with pop-up waste 1 1/4"
 with mounting kit

VPE: 1
 GTIN: 4020929137416



Exploded drawing



Spare parts list

Pos.	Description	Article-No.
01	SH OPERATING LEVER OMEGA_400	HS54990-00010
02	SH ROSETTE M48 X 1	Z009076-00010
03	SH SCREW CONNECTION F. SCREW CAP	Z009078-00000
04	SH CARTRIDGE FOR HIGH PRESSURE	Z000070-00000
08	SH AERATOR SLC WITH RUBBER LIP	Z013980-00010
09	SH FLEXIBLE HOSE M10 X 1 - 3/8"	Z009141-00000
10	SH PULL ROD WITH KNOB	Z009187-00010
11	MOUNTING KIT M8 X 57MM	Z000616-00000
12	SH POP-UP WASTE COMPLETE	Z001128-00010