

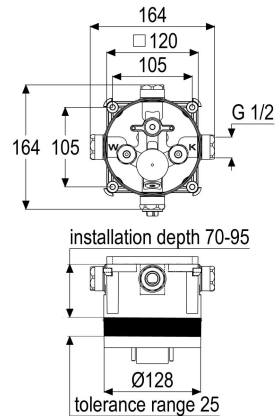
Product data sheet

EL58485-00000 CONC. BODY OMEGA_450

Product image



Dimensioned drawing



Product description

Conc. body Tec-box_100 1/2"
thread connection 1/2"
installation depth 70-95 mm
with installation depth compensation
sealing collar and noise isolation
with protection cap
protected against backflow
with distance frame

Tender specification

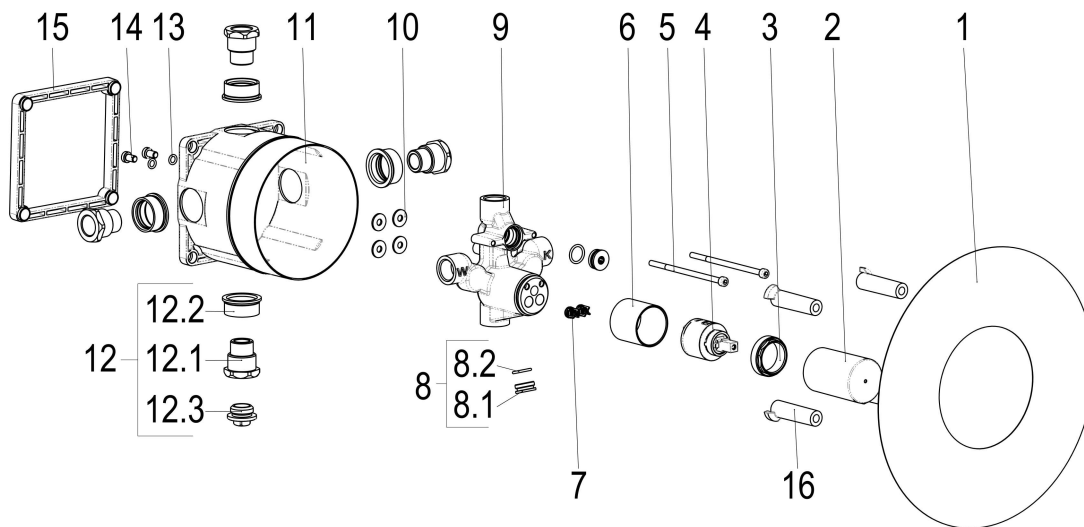
Conc. body Tec-box_100 1/2"
thread connection 1/2"
installation depth 70-95 mm
cartridge 35 mm
with hot water limiter
materials in accordance with German
Drinking Water Regulations and FEA
suitable for conc. bath and shower mixer
with installation depth compensation
sealing collar and noise isolation
with protection cap
protected against backflow
with distance frame
optional accessories with spacer sleeves for
rear panel installation

VPE: 1
GTIN: 4020929682299



Product data sheet

Exploded drawing



Spare parts list

Pos.	Description	Article-No.
03	SH SCREW CONNECTION TO LINE 62	Z009111-00000
04	SH CARTRIDGE FOR HIGH PRESSURE	Z009200-00000
07	SH THREADED PLUG M22x1	Z000184-00000
09	SH CHECK VALVE	Z028901-00000
16	SH TUBE AERATOR FOR 69492	Z028899-00000
17	SH SPACER FRAME TEC-BOX	Z051485-84030