

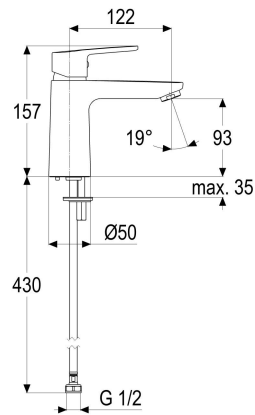
Product data sheet

EL59102-00011 WASH BASIN MIXER OMEGA_300

Product image



Dimensioned drawing



Product description

Wash basin mixer XL
chrome
flexible hoses 1/2" DIN DVGW
aerator flow rate class Z
with push button waste
with mounting kit

Tender specification

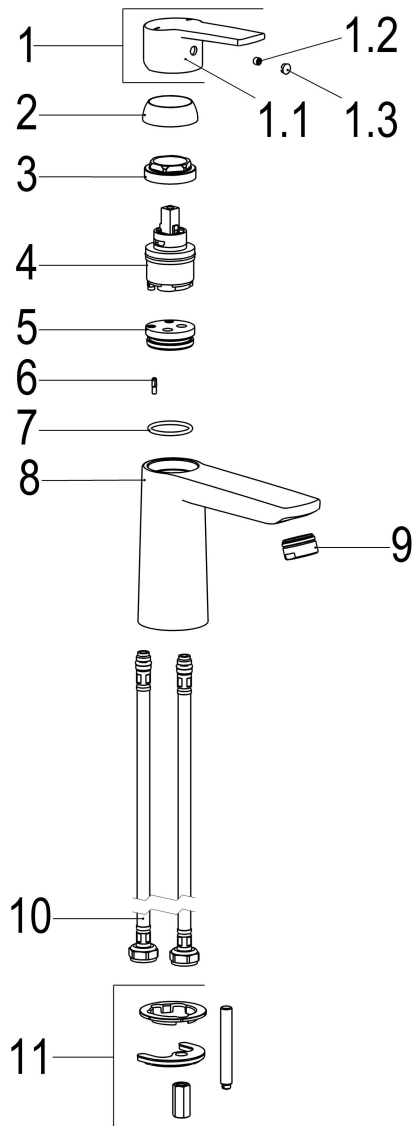
Wash basin mixer XL
chrome
reach 120 mm
height to aerator 95 mm
maximum height 155 mm
open cartridge 35 mm
with hot water and flow rate limiter
materials in accordance with German
Drinking Water Regulations and FEA
lever metal
flexible hoses 1/2" DIN DVGW
aerator flow rate class Z
single hole mounted
with push button waste
with mounting kit

VPE: 1
GTIN: 4020929176750



Product data sheet

Exploded drawing



Spare parts list

| Pos. | Description | Article-No. |
|------|--------------------------------|---------------|
| 01 | | Z069982-00010 |
| 03 | SH SCREW CONNECTION M37 X 1,5 | Z009472-84000 |
| 04 | SH CARTRIDGE FOR HIGH PRESSURE | Z009203-00001 |
| 09 | SH AERATOR SLC WITH RUBBER LIP | Z013980-00010 |
| 11 | MOUNTING KIT M8 X 57MM | Z000616-00000 |

Flow rate diagram

