

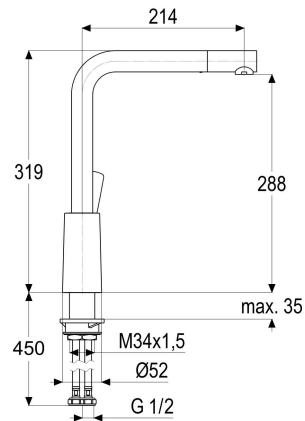
## Product data sheet

EL59705-00010 KITCHEN MIXER OMEGA\_300

### Product image



### Dimensioned drawing



### Product description

Kitchen mixer  
chrome  
flexible hoses 1/2" DIN DVGW  
aerator flow rate class A  
with shaft screw connection

### Tender specification

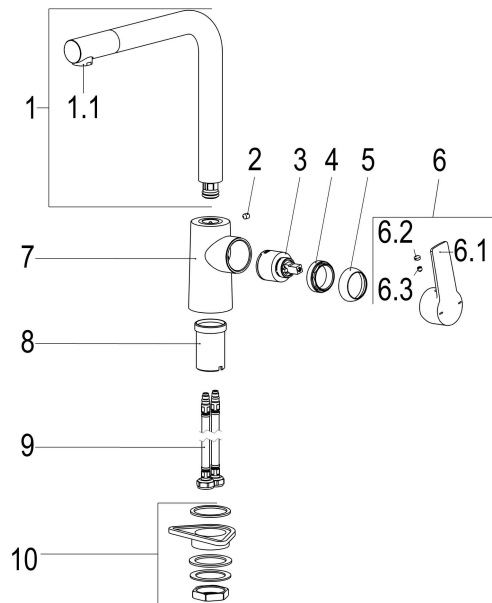
Kitchen mixer  
chrome  
reach 215 mm  
height to aerator 290 mm  
maximum height 320 mm  
cartridge 35 mm  
with hot water limiter  
spout swivelling and turnable  
materials in accordance with German  
Drinking Water Regulations and FEA  
lever metal  
flexible hoses 1/2" DIN DVGW  
aerator flow rate class A  
single hole mounted  
with shaft screw connection

VPE: 1  
GTIN: 4020929176781



# Product data sheet

## Exploded drawing



## Spare parts list

Pos.	Description	Article-No.
01	SH AERATOR INLET CLASS A	Z013976-00000
03	SH CARTRIDGE FOR HIGH PRESSURE	Z009200-00000
04	SH ROSETTE M37 X 1,5 / D:39,7X12	Z009110-00010
05	SH SCREW CONNECTION TO LINE 62	Z009111-00000
06		Z069982-00010
09	SH SCREW CONNECTION M34 X 1,5	Z009196-00000

## Flow rate diagram

