

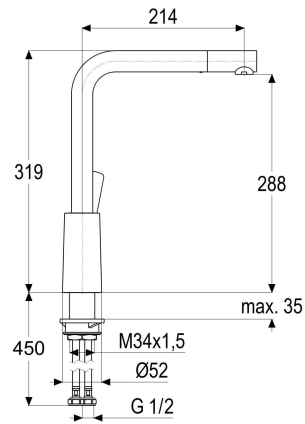
Product data sheet

EL59705-00140 KITCHEN MIXER OMEGA_300

Product image



Dimensioned drawing



Product description

Kitchen mixer
steel_line
flexible hoses 1/2" DIN DVGW
aerator flow rate class A
with shaft screw connection

Tender specification

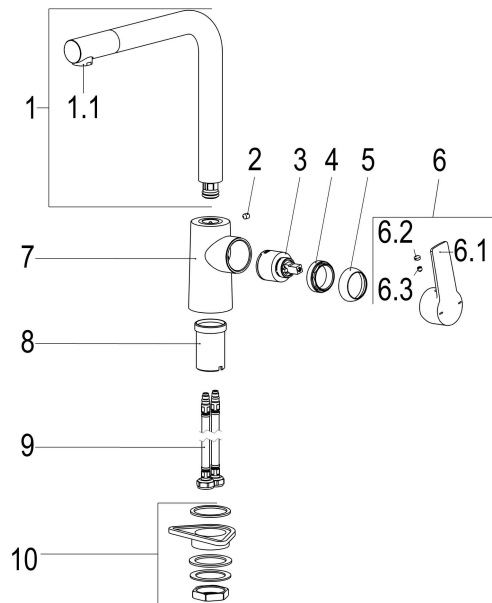
Kitchen mixer
steel_line
reach 215 mm
height to aerator 290 mm
maximum height 320 mm
cartridge 35 mm
with hot water limiter
spout swivelling and turnable
materials in accordance with German
Drinking Water Regulations and FEA
lever metal
flexible hoses 1/2" DIN DVGW
aerator flow rate class A
single hole mounted
with shaft screw connection

VPE: 1
GTIN: 4020929182034



Product data sheet

Exploded drawing



Spare parts list

Pos.	Description	Article-No.
01	SH AERATOR INLET CLASS A	Z013976-00000
03	SH CARTRIDGE FOR HIGH PRESSURE	Z009200-00000
06		Z069982-00140
09	SH SCREW CONNECTION M34 X 1,5	Z009196-00000

Flow rate diagram

