

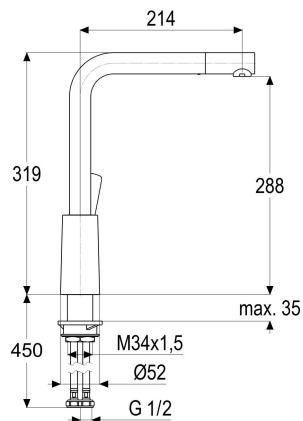
Product data sheet

EL59705-00280 KITCHEN MIXER OMEGA_300

Product image



Dimensioned drawing



Product description

Kitchen mixer
matt black
flexible hoses 1/2" DIN DVGW
aerator flow rate class A
with shaft screw connection

Tender specification

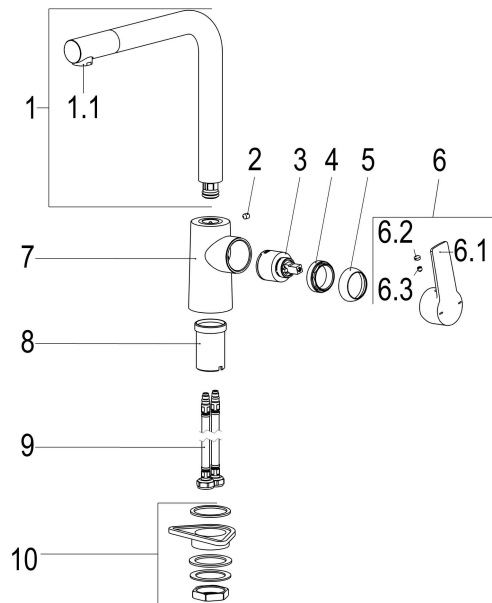
Kitchen mixer
matt black
reach 215 mm
height to aerator 290 mm
maximum height 320 mm
cartridge 35 mm
with hot water limiter
spout swivelling and turnable
materials in accordance with German
Drinking Water Regulations and FEA
lever metal
flexible hoses 1/2" DIN DVGW
aerator flow rate class A
single hole mounted
with shaft screw connection

VPE: 1
GTIN: 4020929182041



Product data sheet

Exploded drawing



Spare parts list

| Pos. | Description | Article-No. |
|------|--------------------------------|---------------|
| 01 | SH AERATOR INLET CLASS A | Z013976-00000 |
| 03 | SH CARTRIDGE FOR HIGH PRESSURE | Z009200-00000 |
| 06 | | Z069982-00280 |
| 09 | SH SCREW CONNECTION M34 X 1,5 | Z009196-00000 |

Flow rate diagram

