

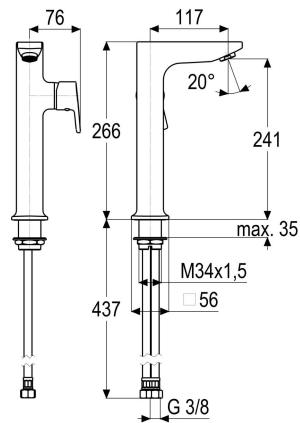
## Product data sheet

EL69004-00080 WASH BASIN MIXER OMEGA\_480

### Product image



### Dimensioned drawing



### Product description

Wash basin mixer high  
grey\_line  
flexible hoses 3/8" DIN DVGW  
aerator flow rate class A  
swivelling  
lateral control  
with push button waste  
with shaft screw connection

### Tender specification

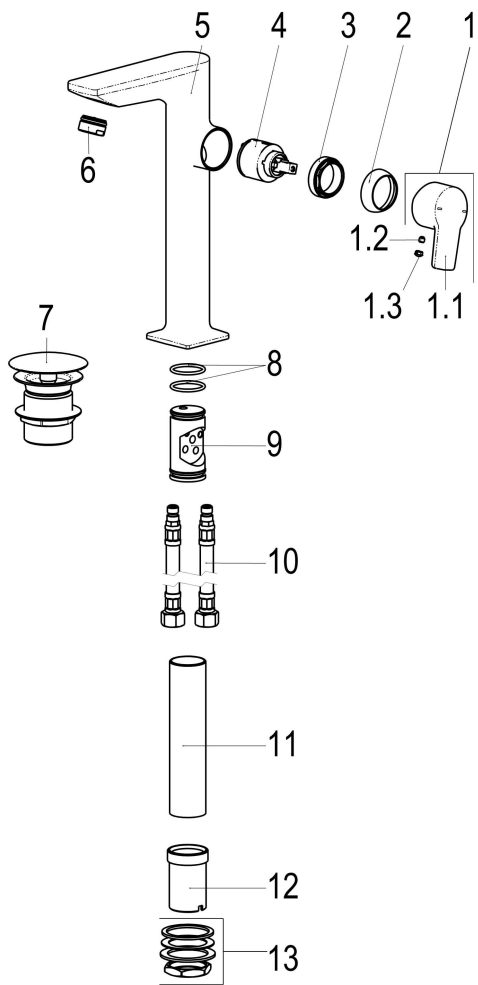
Wash basin mixer high  
grey\_line  
reach 115 mm  
height to aerator 240 mm  
maximum height 265 mm  
cartridge 35 mm  
with hot water limiter  
materials in accordance with German  
Drinking Water Regulations and FEA  
lever metal  
flexible hoses 3/8" DIN DVGW  
aerator flow rate class A  
swivelling  
for deck mounted basins  
lateral control  
with push button waste  
with shaft screw connection

VPE: 1  
GTIN: 4020929182126



# Product data sheet

## Exploded drawing



## Spare parts list

| Pos. | Description                    | Article-No.   |
|------|--------------------------------|---------------|
| 01   |                                | Z069987-00080 |
| 04   | SH CARTRIDGE FOR HIGH PRESSURE | Z009200-00000 |
| 06   | SH SSR AERATOR CL. A           | MF13959-00080 |
| 07   | SH POP-UP WASTE COMPLETE       | MF01126-00080 |
| 13   | SH SCREW CONNECTION M34 X 1,5  | Z009196-00000 |