

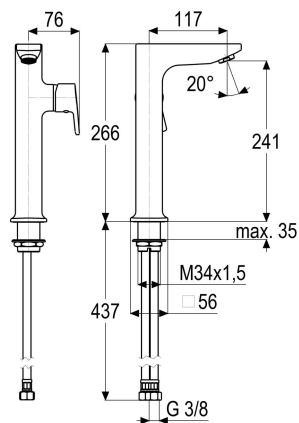
Product data sheet

EL69004-00140 WASH BASIN MIXER OMEGA_480

Product image



Dimensioned drawing



Product description

Wash basin mixer high
steel_line
flexible hoses 3/8" DIN DVGW
aerator flow rate class A
swivelling
lateral control
with push button waste
with shaft screw connection

Tender specification

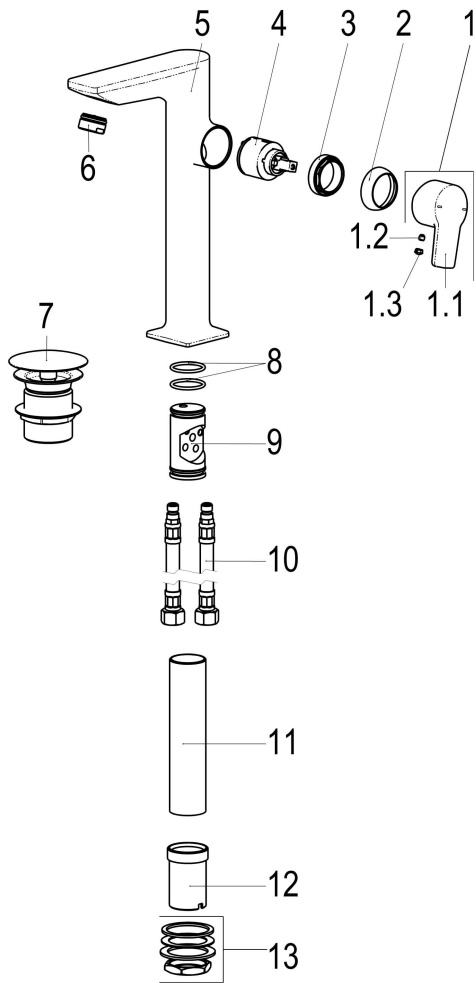
Wash basin mixer high
steel_line
reach 115 mm
height to aerator 240 mm
maximum height 265 mm
cartridge 35 mm
with hot water limiter
materials in accordance with German
Drinking Water Regulations and FEA
lever metal
flexible hoses 3/8" DIN DVGW
aerator flow rate class A
swivelling
for deck mounted basins
lateral control
with push button waste
with shaft screw connection

VPE: 1
GTIN: 4020929182157



Product data sheet

Exploded drawing



Spare parts list

Pos.	Description	Article-No.
01		Z069987-00140
04	SH CARTRIDGE FOR HIGH PRESSURE	Z009200-00000
06	SH SSR AERATOR CL. A	MF13959-00140
07	SH POP-UP WASTE COMPLETE	MF01126-00140
13	SH SCREW CONNECTION M34 X 1,5	Z009196-00000