

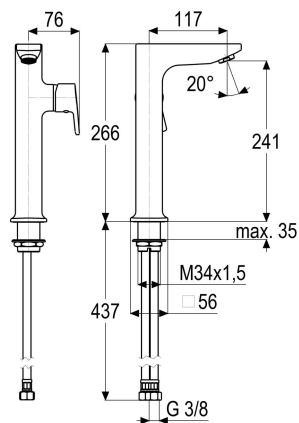
Product data sheet

EL69004-00280 WASH BASIN MIXER OMEGA_480

Product image



Dimensioned drawing



Product description

Wash basin mixer high
matt black
flexible hoses 3/8" DIN DVGW
aerator flow rate class A
swivelling
lateral control
with push button waste
with shaft screw connection

Tender specification

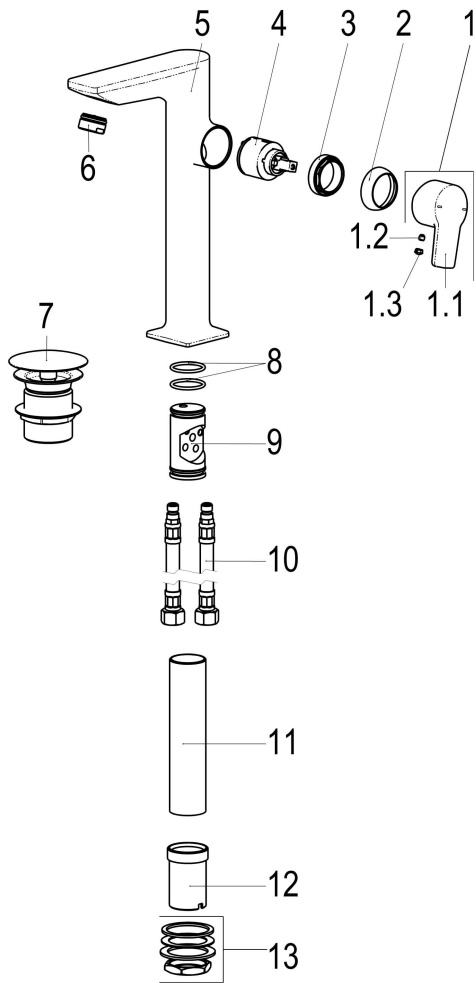
Wash basin mixer high
matt black
reach 115 mm
height to aerator 240 mm
maximum height 265 mm
cartridge 35 mm
with hot water limiter
materials in accordance with German
Drinking Water Regulations and FEA
lever metal
flexible hoses 3/8" DIN DVGW
aerator flow rate class A
swivelling
for deck mounted basins
lateral control
with push button waste
with shaft screw connection

VPE: 1
GTIN: 4020929182164



Product data sheet

Exploded drawing



Spare parts list

Pos.	Description	Article-No.
01		Z069987-00280
04	SH CARTRIDGE FOR HIGH PRESSURE	Z009200-00000
06		Z013918-00280
07		Z001126-00280
13	SH SCREW CONNECTION M34 X 1,5	Z009196-00000