

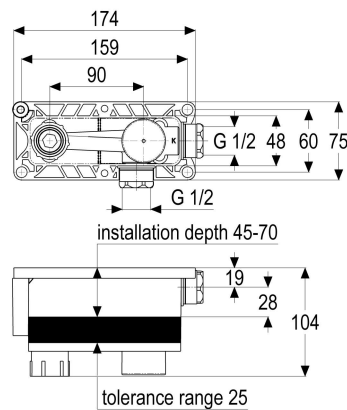
Product data sheet

EL69008-00000 CONC. BODY TEC-BOX_WT OMEGA_450

Product image



Dimensioned drawing



Product description

Conc. body Tec-box wash basin 1/2"
thread connection 1/2"
installation depth 47-72 mm
with installation depth compensation
sealing collar and noise isolation
with protection cap

Tender specification

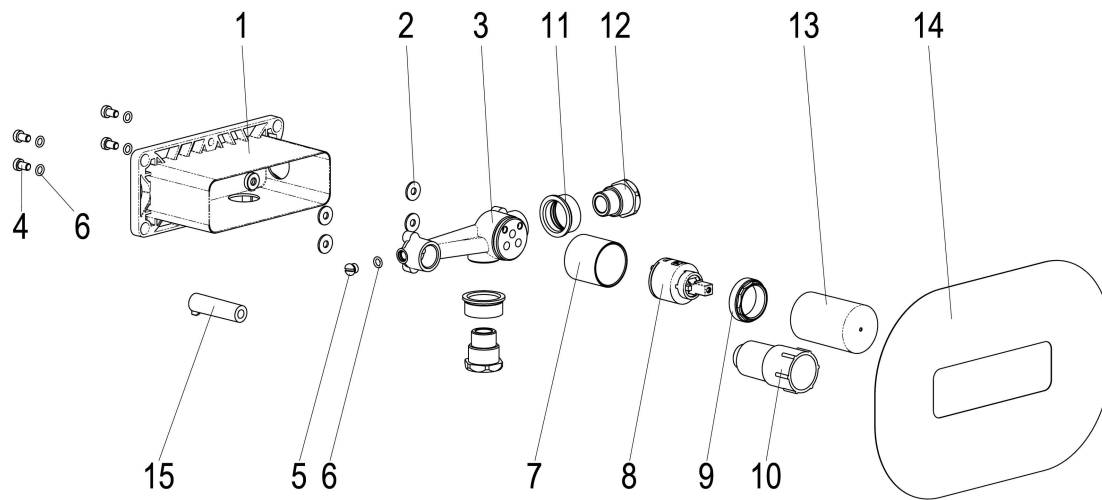
Conc. body Tec-box wash basin 1/2"
thread connection 1/2"
installation depth 47-72 mm
cartridge 35 mm
with hot water limiter
materials in accordance with German
Drinking Water Regulations and FEA
mounting for control right
conc. shower mixer with elbow connection
with installation depth compensation
sealing collar and noise isolation
with protection cap
optional accessories with spacer sleeves for
rear panel installation

VPE: 1
GTIN: 4020929419369



Product data sheet

Exploded drawing



Spare parts list

Pos.	Description	Article-No.
08	SH CARTRIDGE FOR HIGH PRESSURE	Z009200-00000
09	SH SCREW CONNECTION TO LINE 62	Z009111-00000
10	SH PROTECTION CAP 1/2"	Z000467-00000