

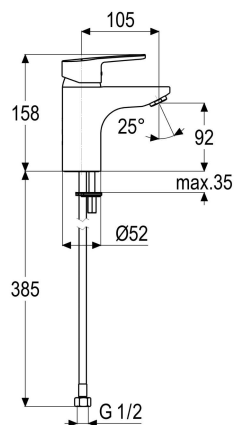
## Product data sheet

EL69122-00011 WASH BASIN MIXER OMEGA\_480

### Product image



### Dimensioned drawing



### Product description

Wash basin mixer  
chrome  
flexible hoses 3/8" DIN DVGW  
aerator flow rate class A  
swivelling  
with push button waste  
with mounting kit

### Tender specification

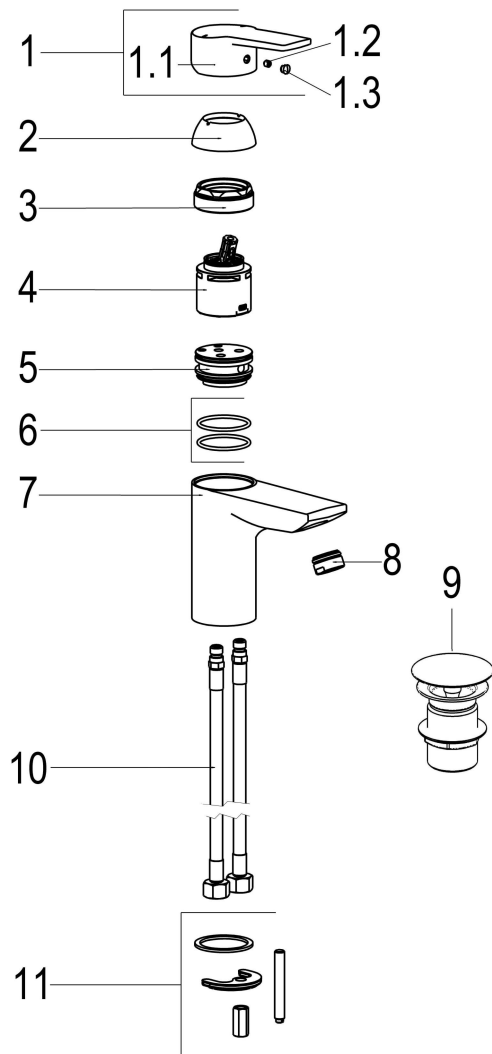
Wash basin mixer  
chrome  
reach 105 mm  
height to aerator 90 mm  
maximum height 155 mm  
cartridge 44 mm  
with hot water and flow rate limiter  
materials in accordance with German  
Drinking Water Regulations and FEA  
lever metal  
flexible hoses 3/8" DIN DVGW  
aerator flow rate class A  
swivelling  
single hole mounted  
with push button waste  
with mounting kit

VPE: 1  
GTIN: 4020929182225



# Product data sheet

## Exploded drawing



## Spare parts list

Pos.	Description	Article-No.
01		Z069981-00010
04	SH CARTRIDGE FOR HIGH PRESSURE	Z000070-00000
08	SH SSR SWIVEL AERATOR CL. A	Z013959-00010
09	SH POP-UP WASTE COMPLETE	Z001126-00010
11	MOUNTING KIT M8 X 57MM	Z000616-00000

## Flow rate diagram

