

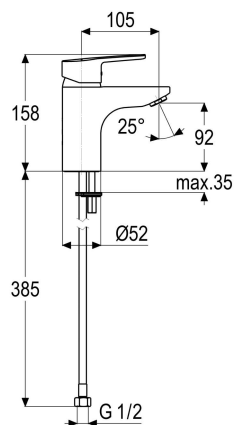
Product data sheet

EL69122-00081 WASH BASIN MIXER OMEGA_480

Product image



Dimensioned drawing



Product description

Wash basin mixer
grey_line
flexible hoses 3/8" DIN DVGW
aerator flow rate class A
swivelling
with push button waste
with mounting kit

Tender specification

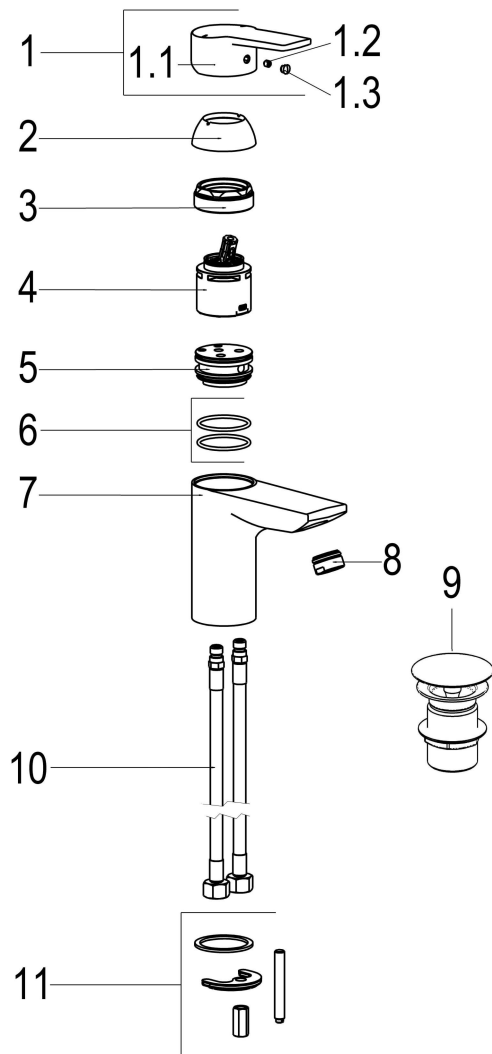
Wash basin mixer
grey_line
reach 105 mm
height to aerator 90 mm
maximum height 155 mm
cartridge 44 mm
with hot water and flow rate limiter
materials in accordance with German
Drinking Water Regulations and FEA
lever metal
flexible hoses 3/8" DIN DVGW
aerator flow rate class A
swivelling
single hole mounted
with push button waste
with mounting kit

VPE: 1
GTIN: 4020929182232



Product data sheet

Exploded drawing



Spare parts list

Pos.	Description	Article-No.
01		Z069981-00080
04	SH CARTRIDGE FOR HIGH PRESSURE	Z000070-00000
08	SH SSR AERATOR CL. A	MF13959-00080
09	SH POP-UP WASTE COMPLETE	MF01126-00080
11	MOUNTING KIT M8 X 57MM	Z000616-00000

Flow rate diagram

