

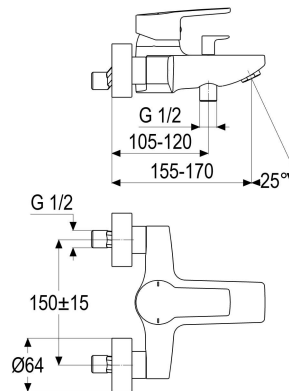
Product data sheet

EL69406-00080 BATH SHOWER MIXER OMEGA_480

Product image



Dimensioned drawing



Product description

Bath shower mixer
grey_line
S-connectors 1/2"
diverter automatic
outlet to shower 1/2"
aerator flow rate class B
swivelling
protected against backflow
with covered S-connections
suitable for instantaneous water heaters
without shower set

Tender specification

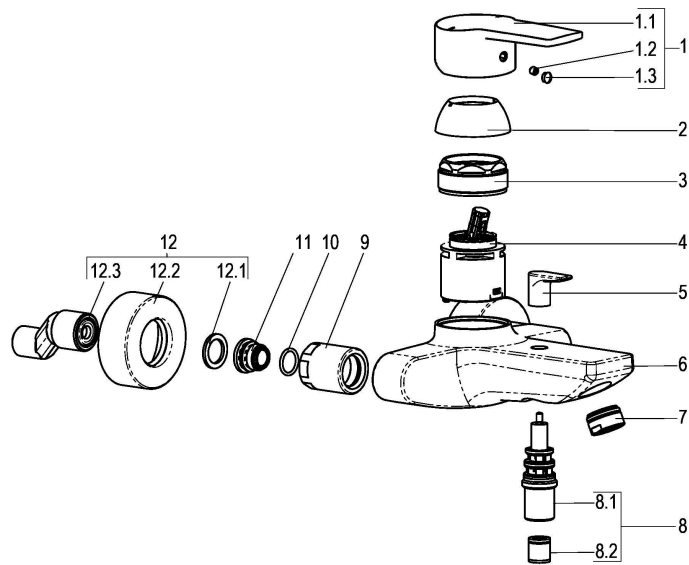
Bath shower mixer
grey_line
reach 170 mm
centre distance 135 - 165 mm
S-connectors 1/2"
diverter automatic
outlet to shower 1/2"
cartridge 44 mm
with hot water and flow rate limiter
materials in accordance with German
Drinking Water Regulations and FEA
lever metal
aerator flow rate class B
swivelling
for wall mounting
protected against backflow
with covered S-connections
suitable for instantaneous water heaters
without shower set

VPE: 1
GTIN: 4020929182355



Product data sheet

Exploded drawing



Spare parts list

Pos.	Description	Article-No.
01		Z069981-00080
04	SH CARTRIDGE FOR HIGH PRESSURE	Z000070-00000
07	SH SSR SWIVEL AERATOR CL. B	Z013960-00010