

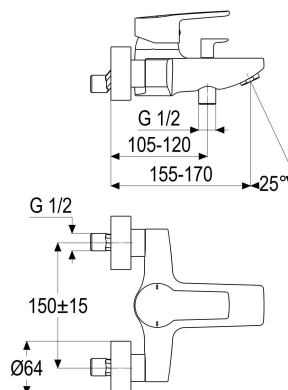
## Product data sheet

### EL69406-00140 BATH SHOWER MIXER OMEGA\_480

#### Product image



#### Dimensioned drawing



#### Product description

Bath shower mixer  
steel\_line  
S-connectors 1/2"  
diverter automatic  
outlet to shower 1/2"  
aerator flow rate class B  
swivelling  
protected against backflow  
with covered S-connections  
suitable for instantaneous water heaters  
without shower set

#### Tender specification

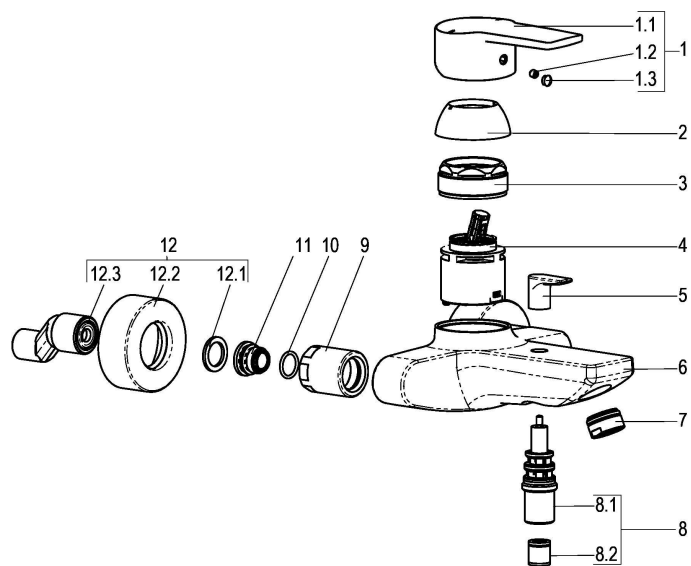
Bath shower mixer  
steel\_line  
reach 170 mm  
centre distance 135 - 165 mm  
S-connectors 1/2"  
diverter automatic  
outlet to shower 1/2"  
cartridge 44 mm  
with hot water and flow rate limiter  
materials in accordance with German  
Drinking Water Regulations and FEA  
lever metal  
aerator flow rate class B  
swivelling  
for wall mounting  
protected against backflow  
with covered S-connections  
suitable for instantaneous water heaters  
without shower set

VPE: 1  
GTIN: 4020929182379



# Product data sheet

## Exploded drawing



## Spare parts list

Pos.	Description	Article-No.
01		Z069981-00140
04	SH CARTRIDGE FOR HIGH PRESSURE	Z000070-00000
07	SH SSR SWIVEL AERATOR CL. B	Z013960-00010