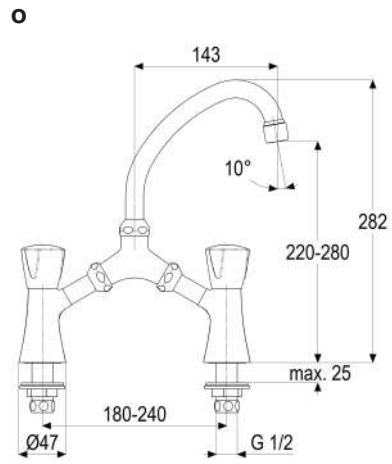


NPNbNFI ONNON t Pt u l u p n l unl up P



o
o 7 U

vACALAD8BAABA

c n
o

8 C
o 7

BEF

OCA
Cl A
Bl A 8 OEA

B:C-

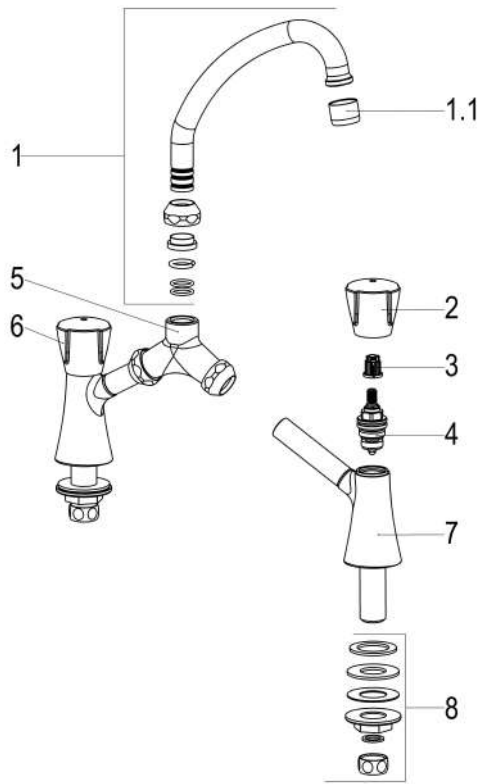
cp8

Z s m U b a_U

r k_MB
bod MEACALCLCACBEL
nWkML AG 8E E8E I 8 LDL8 BLGAGHCC H



p



Lo

AB nc pi d_mUg cp8nkj po
 AC nc cUi Zg_omdUi j i Wj gZ
 AD nc Z_o_i oVpncd b aj m
 cUi Zg_n
 AE c_UZ kUmö B:C-
 AG nc cUi Zg_omdUi j i cj o
 AI nc ncUao nWm_s Wj i i_W6q i
 B:C-

I I L

vABEAEB8AAABA
 vAAALAE8AAABA
 vAAAEBD8AAAAA
 vAAAABE8AAAAA
 vAAALAF8AAABA
 vAAAADH8AAAAA

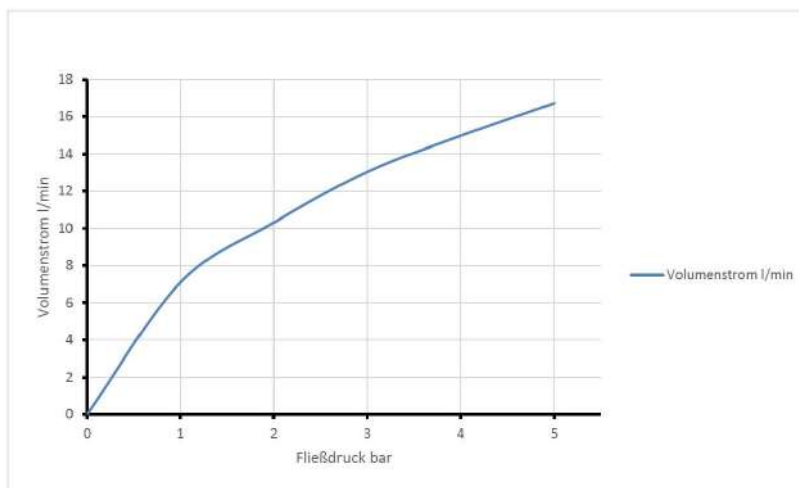
o

nc kj k&pk s Uno_ kgUnodW
 nc oc_mh j Wj mi _mr Ugr _
 UgkcU DAA

I I L

vAABBCL8AAABA
 vAFFFGH8AAABA

r



n