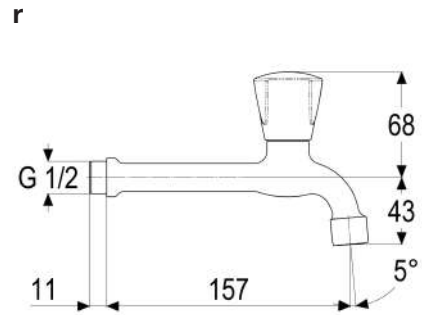


PTPPTTLRPPRP wr n L tt n p n xL x s S



- 8 B:C
p 7

V

ADAADD8BAABA

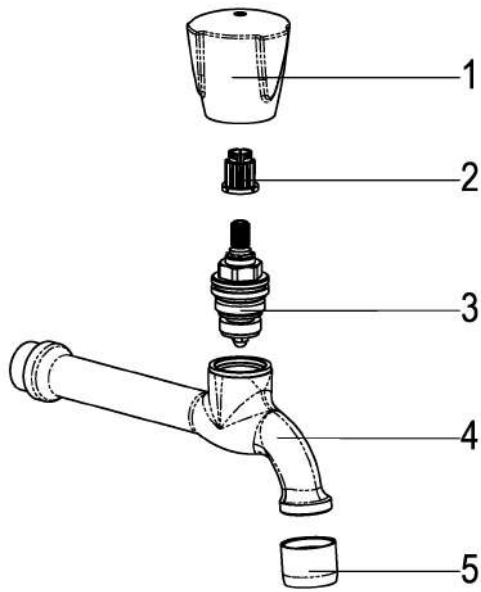
d o
- 8 B:C
8 C
p 7

BFF
B:C

- t n c
V baV

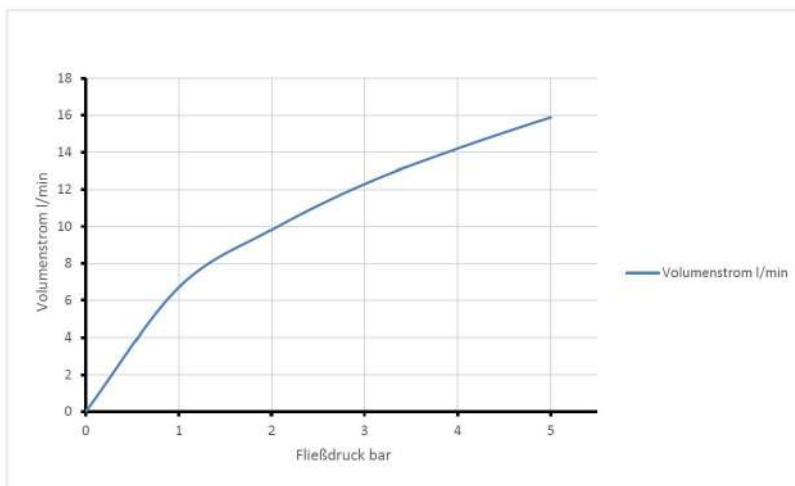


s



Nr	n	L	N
AB	od dVj _ha pnø/j kj Zkh_	AAALAE8AAABA	
AC	od _apaj p W odø c bk n dVj _hao	AAAEBD8AAAAA	
AD	daV_ l Vnp B:C-	AAAABE8AAAAA	
AF	od VanVpk n	ABDLAD8AAABA	

t



o