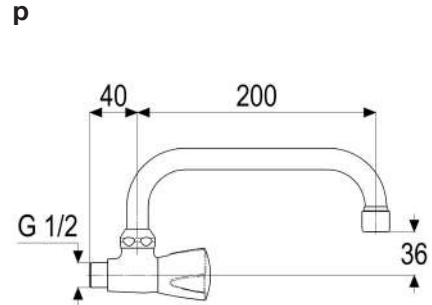


NTM/PTH/PNNPN u wr wt m o m wHwr S



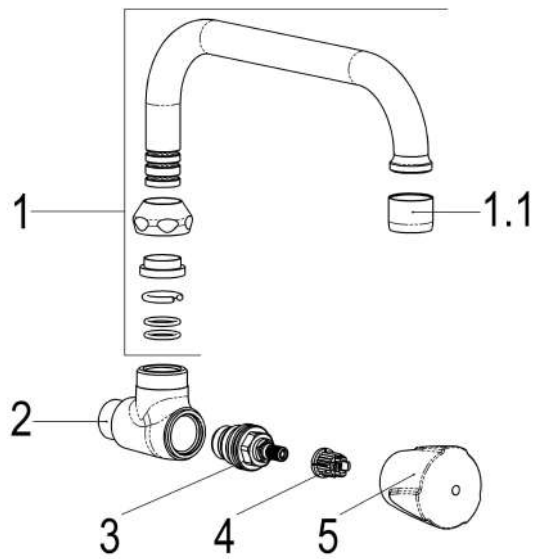
u r 7 CAD-  
W

BEBFCE9CBB0B  
e p CAD-  
u 9 D  
r 7

DBB  
CAD-  
s9  
a u o d  
W cbW



r



l p

BC pe skft bopW s9pm sr7  
obW\_eODBB

BE ebWá mW6r CAD-

BF pe abr bkr Zspefk d cl o  
eWkai bp

BG pe eWkai brofWkl k\_lia

m H I

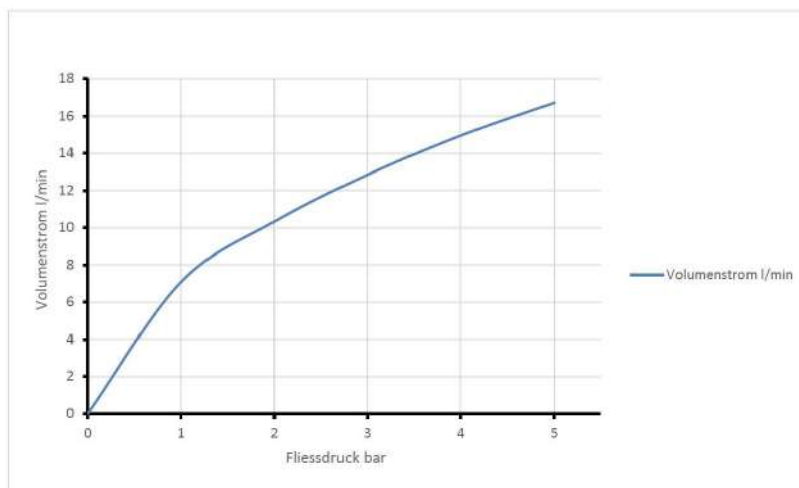
BCFBEH9BBBCB

BBBBCF9BBBBB

BBBFCE9BBBBB

BBBNBF9BBBCB

s



p

: